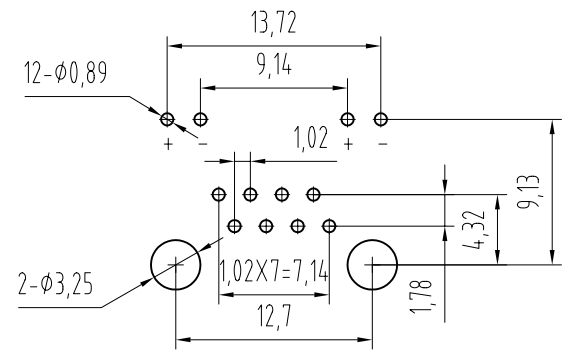
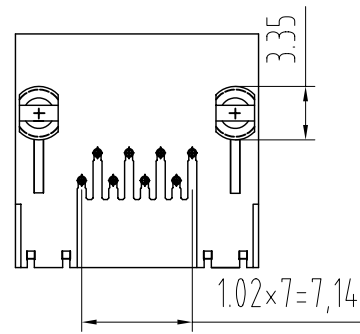
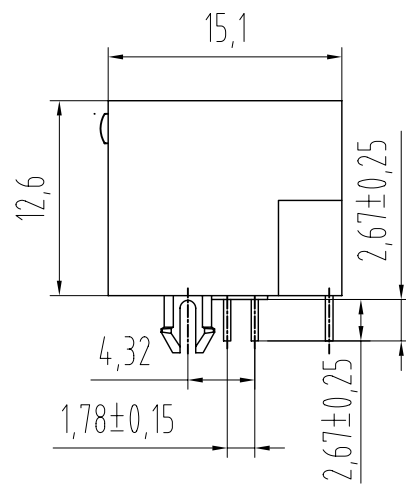
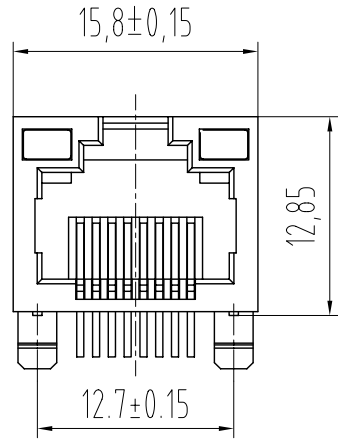


REVISION RECORD				
REV	ECO	DESCRIPTION	DRFT	CHKD



**PC Board Layout**  
**Component Side Shown**

**NOTES:**

**MATERIAL :**

- 1.HOUSING MATERIAL :GLASS FILLED POLYESTER UL94V-0.
- 2.CONTACT MATERIAL :PHOSPHOR BRONZE φ0.46mm.
- 3.PLATING :GOLD PLATING OVER NICKEL.

**ELECTRICAL:**


- 1.VOLTAGE RATING :125 VAC RMS.
- 2.CURRENT RATING :1.5 AMP.
- 3.CONTACT RESISTANCE :30 MILLIOHMS MAX.
- 4.INSULATION RESISTANCE :500 MEGOHMS MIN @ 500V DC .
- 5.DIELECTRIC WITHSTANDING RESISTANCE :1000V AC RMS 50Hz. 1MIN.

**MECHANICAL:**

- 1.DURRABILITY :750 CYCLES MIN.
- 2.PCB RETENTION PRE-SOLDER :1 LB MIN.

**ENVIRONMENTAL:**

- 1. STORAGE : -40℃~+85℃
- 2. OPERATION : 0℃ TO 70℃

REVISION LIST	MM (INCH)		DFTO SHB	DATE 2007.05.03	 <b>56 LED 8P8C</b>		
	TOLERANCES EXCEPT AS NOTED		CHKD LANBO	DATE 2007.05.03			
	MM		MFO	DATE			
	.5 ± 0.15	±	APPLV	DATE			
	.00 ± 0.075	±	MATERIAL :				
.00 ± 0.05	±	QTY :					
ANGLES ± 0.5		FINISH :			DRAWING NO.	SIZE A3	REV 0
THIRD ANGLE PROJECTION		SCALE :			/PART NO.		
					DO NOT SCALE DRAWING		SHEET X OF Y